

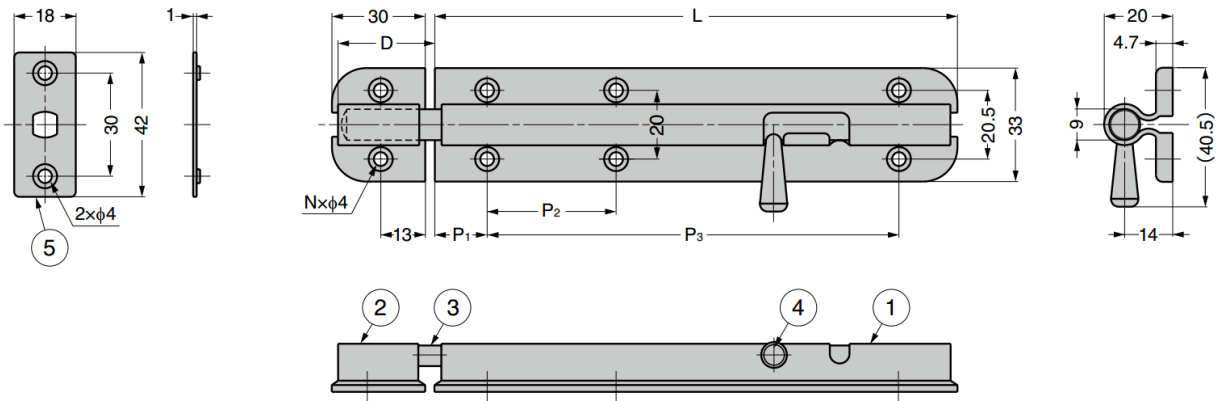
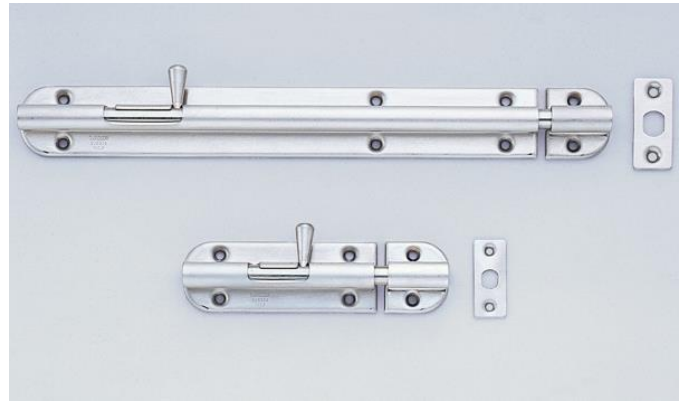
## GBSS Spring Loaded Barrel Bolt

### Features

- Knob springs back into sleeve to keep bolt in locked or unlocked position
- Can be installed vertically or horizontally
- Two counter plates included for different mountings

### Parts Included

- Countersunk head wood screw 3.5×20 (SUS)



| No. | Part Name     | Material                    | Finish |
|-----|---------------|-----------------------------|--------|
| ①   | Body          | Stainless Steel<br>(SUS304) | Satin  |
| ②   | Strike        |                             |        |
| ③   | Bar           | Stainless Steel             | —      |
| ④   | Knob          | (SUS303)                    | —      |
| ⑤   | Counter Plate | Stainless Steel<br>(SUS304) | Satin  |
| —   | Spring        |                             | —      |

| Part No. | L   | P <sub>1</sub> | P <sub>2</sub> | P <sub>3</sub> | D  | N |
|----------|-----|----------------|----------------|----------------|----|---|
| GBSS-90  | 90  | 13             | -              | 60             | 24 | 6 |
| GBSS-150 | 150 | 15             |                | 115            |    |   |
| GBSS-240 | 240 |                | 60             | 205            | 32 | 8 |